

## 全扇出矩阵开关 – MAS4489

HF / VHF / UHF / L-Band / S-Band (20 – 4200 MHz)



### TECHNICAL DATA @ 25°C

<b>Part No.</b>	<b>1400324</b>
Number of inputs	8
Number of outputs	8
Architecture	Non-blocking, full-fan out Semiconductor switches
Frequency range	20 – 4200 MHz
Gain [dB]	1 ± 2.0
Flatness [dB]	± 2.5 max.
Noise Figure [dB]	15 max. (up to 3GHz)
OPIP3 [dBm]	10 min.
OPIP2 [dBm]	30 min.
Isolation [dB]	
out/in	60 min.
...out/out	40 min.
on/off	50 min.
Crosstalk [dB]	40 min
VSWR	
Input	2.0:1 max.
Output	2.0:1 max.
Output pwr [dBm] @ 1dB compr.	+5 typ.
Input pwr [dBm] non destructive	+10 max. CW
Impedance [Ω]	50
Connectors	
Input	SMA female
Output	SMA female

Local control	LC display and keyboard, front panel
Remote control	RJ45 Ethernet port 10/100 Base T. TCP/IP & UDP, SNMP , GUI (browser interface)
Power supply	80-264 V AC (47-63 Hz)
AC consumption	70VA max.
Temperature range	Indoor use only
Operating	0 ... +40°C
Storage	-10 ... +60°C
Colour:	Front panel: RAL7021
Attached hardware	Power cord Operating manual
Dimensions (wxhxd)	483mm x 44mm x 360mm (19" drawer, 1U)
Weight	6 kg

#### Features

- Redundant power supply
- Non-switched in- and outputs internally loaded
- Temperature controlled fans
- Shut-down of unused amps
- Permanent monitoring of temperature, fans and modules
- SNMP (protocol version 1)



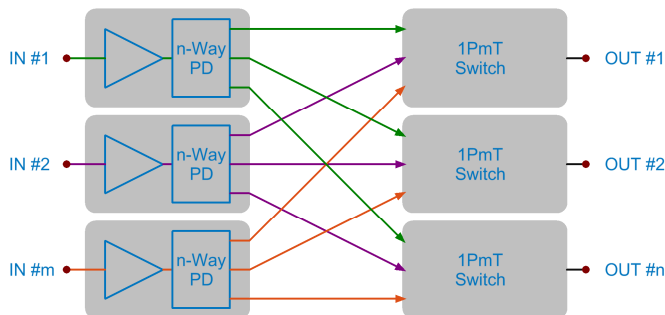
## OPTIONS

The following options are available:

- Single power supply

## DESCRIPTION

The MAS4489 is configured as a full fan-out non-blocking switch matrix. Each input is split to all output switches. This allows to select the input signal to be seen on each output. The obvious upside is its great switching flexibility.



Typical m x n Non-Blocking Matrix

The MAS4489 operates over a ultra wide frequency band from 20 MHz to 4.2 GHz and is perfectly suitable for a wide variety of RF applications.

The system supports come with Ethernet control interface, allowing setup flexibility and easy remote test management.

## APPLICATIONS

- Communication satellites & Teleports
- Mobile Marine Satcom
- Radar applications
- Test laboratories
- Development centers
- ATE stations

## ABOUT US

**novotronic** is a Germany-based electronics engineering company. **novotronic** specialises in meeting the needs of government and defence, telecommunication, broadcast and aerospace. We have about 25 years experience producing state of the art technology for your applications.

## OUR SKILLS

**novotronic** develops and manufactures technically sophisticated products. As a **certified aerospace and defence company novotronic** operates a quality management system in accordance with ISO 9001:2015 and EN 9100:2018 (equivalent to AS 9100D and JISQ 9100:2016 including ISO 9001:2015).



关注测试专家



hkaco.com